

DRAWING NUMBER
D49235

SHT.2
OF
2

Data Sheet

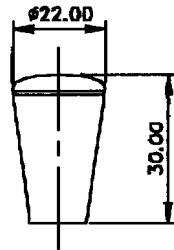
THIRD ANGLE
PROJECTION
TO B.S.308



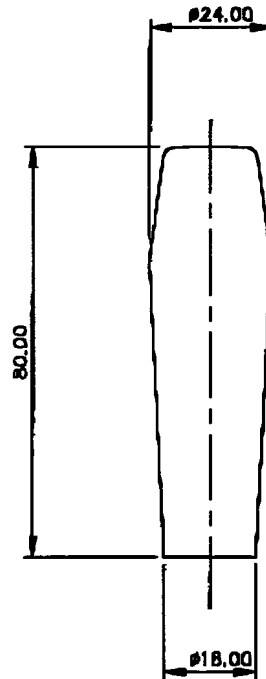
DESIGN
COPYRIGHT
RESERVED.



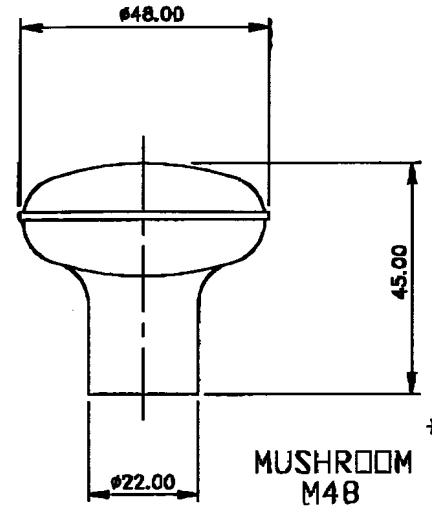
STANDARD
S30



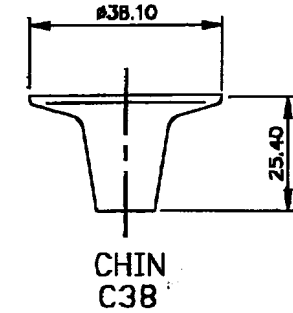
KNOBS CAN BE SUPPLIED
SEPARATELY AS PER
INDIVIDUAL PART
NUMBERS.



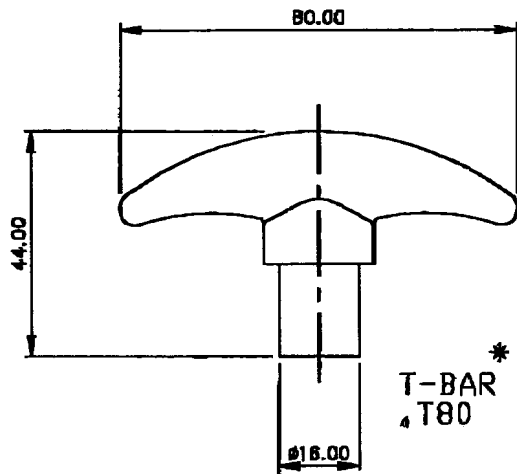
STICK
S80



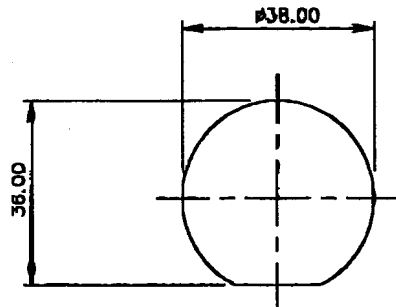
MUSHROOM
M48



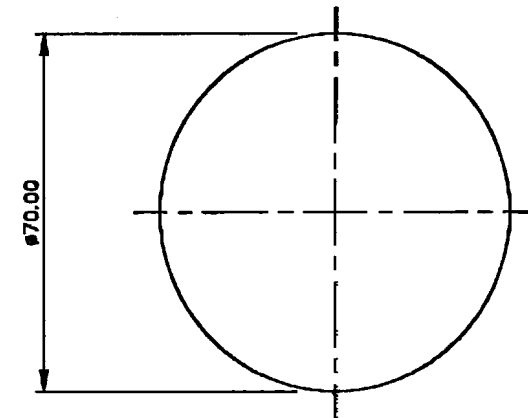
CHIN
C38



T-BAR
T80

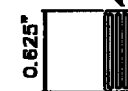


BALL
B38



SOFT BALL
SB70

TO FIT 1/4" SHAFT



NOTE: KNOBS MARKED * ARE TO BE MOUNTED
IN A VERTICAL ORIENTATION ONLY.

ALL KNOBS WILL BE FITTED WITH A 1/4" x 5/8"
STAINLESS STEEL TOLERANCE RING

Penny+Giles

DRIVES TECHNOLOGY LTD.
1, Airspeed Road, Christchurch,
Dorset, BH23 4HD, U.K.
Tel. (0425) 271444
Fax. (0425) 272855

| | | | | | | | | | |
|---------|----------|--|--|--|--|--|--|--|--|
| ISSUE | A | | | | | | | | |
| DATE | 20.03.03 | | | | | | | | |
| CHANGE | REV 001 | | | | | | | | |
| BY | | | | | | | | | |
| CHECKED | | | | | | | | | |
| DIMS: | | | | | | | | | |
| SCALE: | | | | | | | | | |
| TITLE: | | | | | | | | | |

DRAWN
P. WATERMAN

CHECKED

APPROVED

DRAWING NUMBER:

SHT.2
OF
2

ASSESSMENT KNOB KIT

D49235