

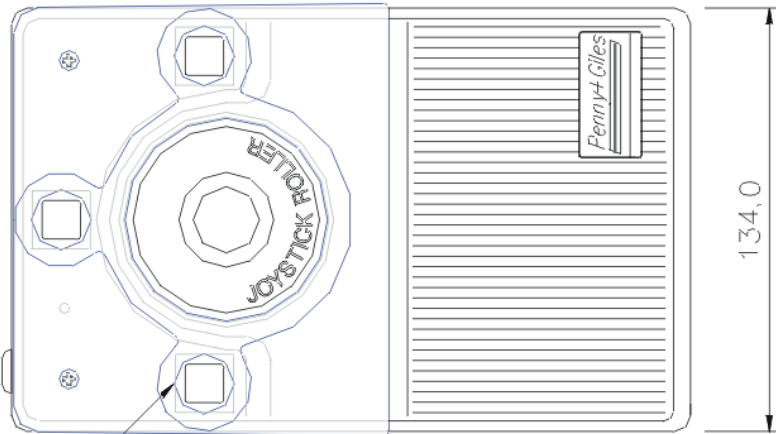
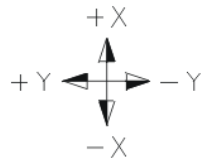
DRAWING NUMBER
DS48840

3rd ANGLE PROJECTION

USED ON

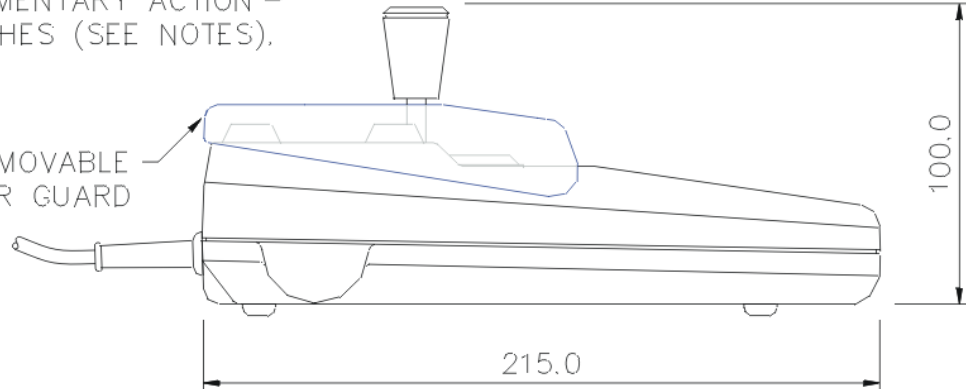
D or
CAT No

M.A/S.A



3 MOMENTARY ACTION SWITCHES (SEE NOTES).

REMOVABLE FINGER GUARD



SPECIFICATION

CASE ~ A.B.S, COLOUR: GREY.
 JOYSTICK ~ DUAL AXIS, OPERATING ANGLE 55° INC.
 CABLE ~ 2 MTRS, PVC SHEATH, COLOUR: GREY.
 CONNECTOR ~ 6 WAY MINI DIN PLUG.
 SUPPLY ~ +5V D.C ±5% @ 80mA MAX.
 OUTPUT ~ PS2 COMPATIBLE.

CONNECTION DETAILS

PIN	DESCRIPTION
1	DATA
3	0V GND
4	+5V
5	CLOCK
2&6	N/C



VIEW ON OPEN END OF PLUG DRAIN WIRE CONN. TO SHELL OF PLUG.

LEFT & RIGHT BUTTONS EMULATE LEFT & RIGHT PS2 MOUSE BUTTONS.
 MIDDLE BUTTON (RED):
 1st PRESS ACTIVATES LATCHING "DRAG SWITCH" FACILITY.
 2nd PRESS RELEASES THE ELECTRONIC LATCH,
 ACTUATION OF LATCH INDICATED BY FLASHING LED.

ISSUE	1	1A	1B	2	3		
DATE	8.11.95	12.2.96	12.2.97	22.10.97	5.2.99		
CHANGE	CH542	CH542.2	RTC0574	ECN0649	ECN0760		
MATERIAL	-		FINISH	-		TOL. ±1.0	
APP						SCALE	-
CHKD						DIMS	mm



*Penny & Giles Computer Products
 (A Division of Devlin Electronics LTD)
 Christchurch Dorset.
 Tel (01202) 481751*

DRAWN
R.HARNETT

TITLE
ROLLER JOYSTICK
JSDR/2A/G1/PS2

SIZE
A4

DRAWING NUMBER
DS48840