

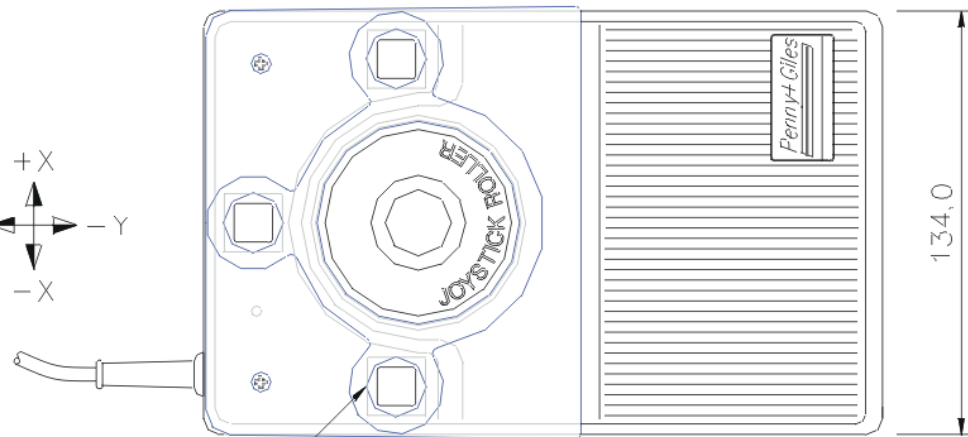
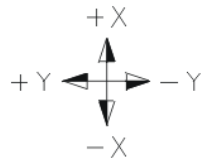
DRAWING NUMBER
DS48773

3rd ANGLE PROJECTION

USED ON

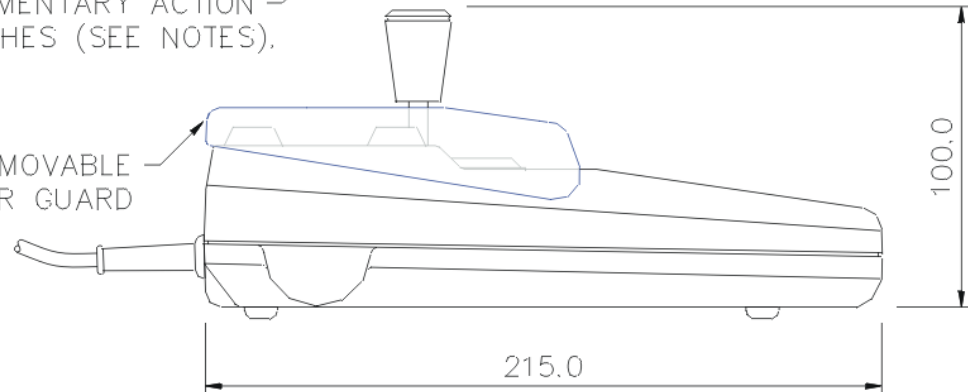
D or
CAT No

M.A/S.A



3 MOMENTARY ACTION SWITCHES (SEE NOTES).

REMOVABLE FINGER GUARD



SPECIFICATION

CASE ~ A.B.S, COLOUR: GREY.
 JOYSTICK ~ DUAL AXIS, OPERATING ANGLE 55° INC.
 CABLE ~ 2 MTRS, PVC SHEATH, COLOUR: GREY.
 CONNECTOR ~ 9 WAY 'D' TYPE SOCKET.
 SUPPLY ~ LINE POWERED FROM THE SERIAL PORT.
 OUTPUT ~ MICROSOFT COMPATIBLE.

CONNECTION DETAILS

PIN	DESCRIPTION
1	N/C
2	TX
3	RX
4	DTR
5	0V GND
6	N/C
7	RTS
8	N/C
9	N/C

LEFT & RIGHT BUTTONS EMULATE LEFT & RIGHT MOUSE BUTTONS.
 MIDDLE BUTTON (RED):
 1st PRESS ACTIVATES LATCHING "DRAG SWITCH" FACILITY.
 2nd PRESS RELEASES THE ELECTRONIC LATCH,
 ACTUATION OF LATCH INDICATED BY FLASHING LED.

ISSUE	1	1A	1B	1C	2	3	
DATE	31.3.95	9.11.95	20.2.96	12.2.97	23.10.97	5.2.99	
CHANGE	CH504	CH504	CH504.2	RTC0574	ECN0649	ECN0760	
MATERIAL	-		FINISH	-		TOL.	SCALE
				±1.0			-
APP						DIMS	mm

APP

CHKD



Penny & Giles Computer Products
 (A Division of Devlin Electronics LTD)
 Christchurch Dorset.
 Tel (01202) 481751

DRAWN
R.HARNETT

TITLE
JSDR/2A/GL/MSF

SIZE
A4

DRAWING NUMBER
DS48773