

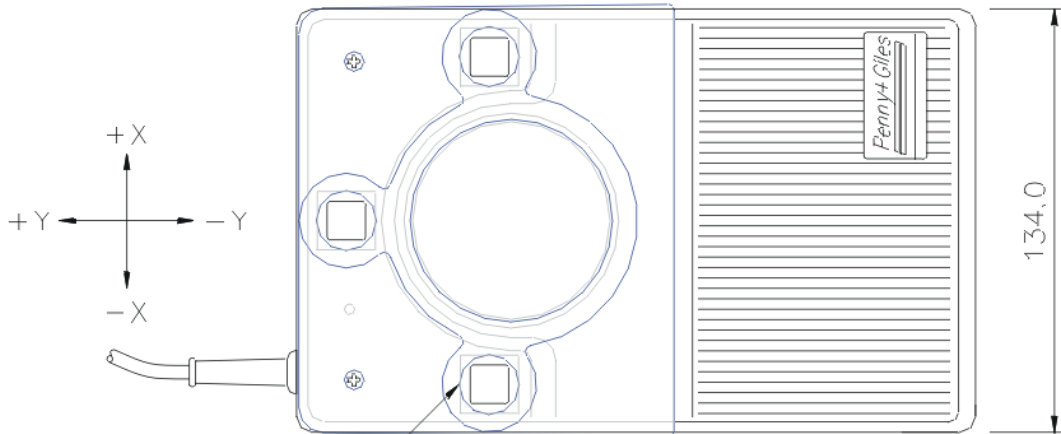
DRAWING NUMBER  
DS48718

3rd ANGLE PROJECTION

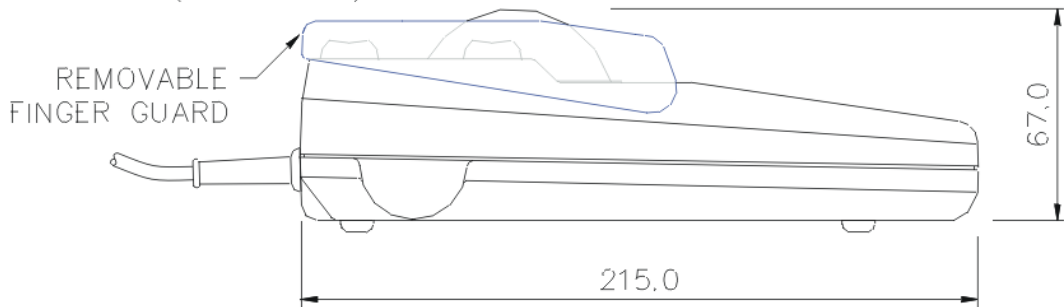
USED ON

D or  
CAT No

M.A/S.A



3 MOMENTARY ACTION SWITCHES (SEE NOTES).



SPECIFICATION

CASE ~ A.B.S, COLOUR: GREY.  
 BALL ~  $\phi 2.5''$ , COLOUR: RED.  
 CABLE ~ 2 MTRS, PVC SHEATH, COLOUR: GREY.  
 CONNECTOR ~ 9 WAY 'D' TYPE SOCKET.  
 RESOLUTION ~ 1080 EDGES PER BALL REVOLUTION.  
 SUPPLY ~ LINE POWERED FROM THE SERIAL PORT.  
 OUTPUT ~ MICROSOFT COMPATIBLE.

CONNECTION DETAILS

PIN	DESCRIPTION
1	N/C
2	TX
3	RX
4	DTR
5	0V GND
6	N/C
7	RTS
8	N/C
9	N/C

LEFT & RIGHT BUTTONS EMULATE LEFT & RIGHT MOUSE BUTTONS.  
 MIDDLE BUTTON (RED):  
 1st PRESS ACTIVATES LATCHING "DRAG SWITCH" FACILITY.  
 2nd PRESS RELEASES THE ELECTRONIC LATCH.  
 ACTUATION OF LATCH INDICATED BY FLASHING LED.

ISSUE	1	1A	1B	1C	2	3	
DATE	27.9.94	19.1.95	6.2.95	12.2.97	23.10.97	5.2.99	
CHANGE	CH458	CH458.2	CH458.3	RTC0574	ECN0649	ECN0760	
MATERIAL	-		FINISH	-		TOL.	SCALE
						$\pm 1.0$	-
APP						DIMS	mm



*Penny & Giles Computer Products  
 (A Division of Devlin Electronics LTD)  
 Christchurch Dorset.  
 Tel (01202) 481751*

DRAWN  
R.HARNETT

TITLE  $\phi 2.5''$  ROLLER TRACKERBALL  
MICROSOFT COMPATIBLE.

SIZE  
A4

DRAWING NUMBER  
DS48718