

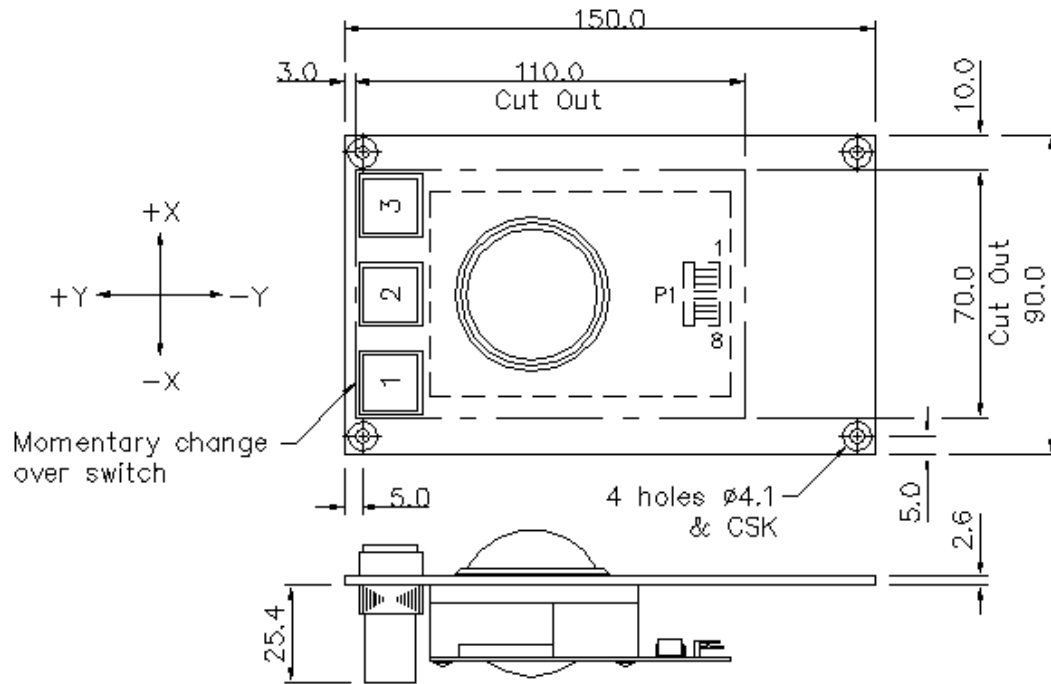
DRAWING NUMBER  
DS48527

3rd ANGLE PROJECTION

USED ON

D or  
CAT No

M.A./S.A



Specification

- Ball ~  $\varnothing 1.5''$  colour: black.
- Facia ~ 12swg mild steel, zinc plated & powder coated to BS00 A 07, fine matt texture.
- Resolution ~ 36 edges per ball revolution.
- Connector ~ 8 way square pin 0.1" pitch header.
- Supply ~ +5V d.c  $\pm 5\%$  @ 60mA.
- Output ~ TTL serial data stream (PS2 compatible).

Pin Connections

Pin	Description
1	+5V
2	Middle switch
3	Right switch
4	Left switch
5	Data
6	Clock
7	0V gnd
8	N/C

ISSUE	1	1A	2	2A		
DATE	16.12.92	30.9.93	23.1.95	6.6.97		
CHANGE	CH341	CH341.2	CH341.3	RTC0544		
MATERIAL	-		FINISH	-		TOL. $\pm 0.5$
APP						SCALE -
						DIMS mm



Penny & Giles  
Computer Products LTD  
Christchurch Dorset.  
Tel (01202) 481751

DRAWN  
R.HARNETT

TITLE  
 $\varnothing 1.5''$  FACIA MOUNTED PS2  
TRACKERBALL (TBFA/38)

SIZE  
A4

DRAWING NUMBER  
DS48527